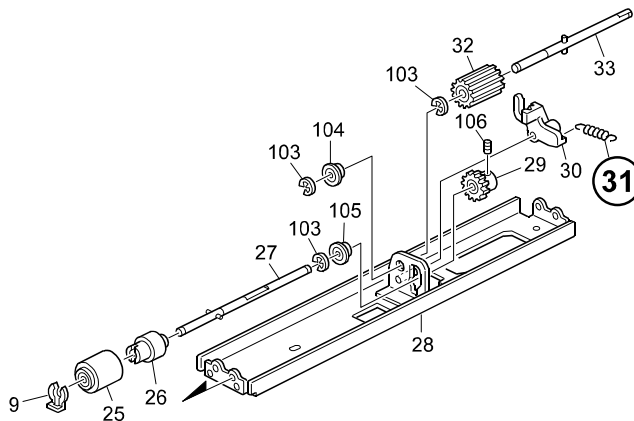


Model: Multi Bypass Tray for Bellini-C2		Date: 19-May-03	No.: MB512001
Modified Article: Reverse Pressure Spring - 55GF		Prepared by: F.Noguchi	
From: 2nd Tech. Support Sec. Service Support Dept.			
Reason for Modification:	<input type="checkbox"/> Parts catalog correction <input type="checkbox"/> To facilitate assembly <input type="checkbox"/> Part standardization	<input type="checkbox"/> Vendor change <input checked="" type="checkbox"/> To improve reliability <input type="checkbox"/> Other	<input type="checkbox"/> To meet standards ()

The Reverse Pressure Spring has been changed as follows to improve paper feed performance.

- Pressure increased
- Diameter increased (0.45mm→ 0.5mm)
- Pre-attachment length increased (18.0mm→ 21.4mm).

Old part number	New part number	Description	Q'ty	Int	Page	Index	Note
AA060834	AA060941	Reverse Pressure Spring - 55GF	1 - 1	X/O	7	31	
		Spring: Pressure: Reverse					



RCL (Japan) Production (B512)

MODEL NAME	BRAND	DESTINATION	CODE	SERIAL NO.
Multi Bypass Tray Type 2105	Ricoh Savin Gestetner Nashuatec Rex Rotary Lanier	208-240/60 220-240/50,60	B512-17	J733030001
Multi Bypass Tray Type 2105	Infotec	220-240/50,60	B512-26	6Q40330001